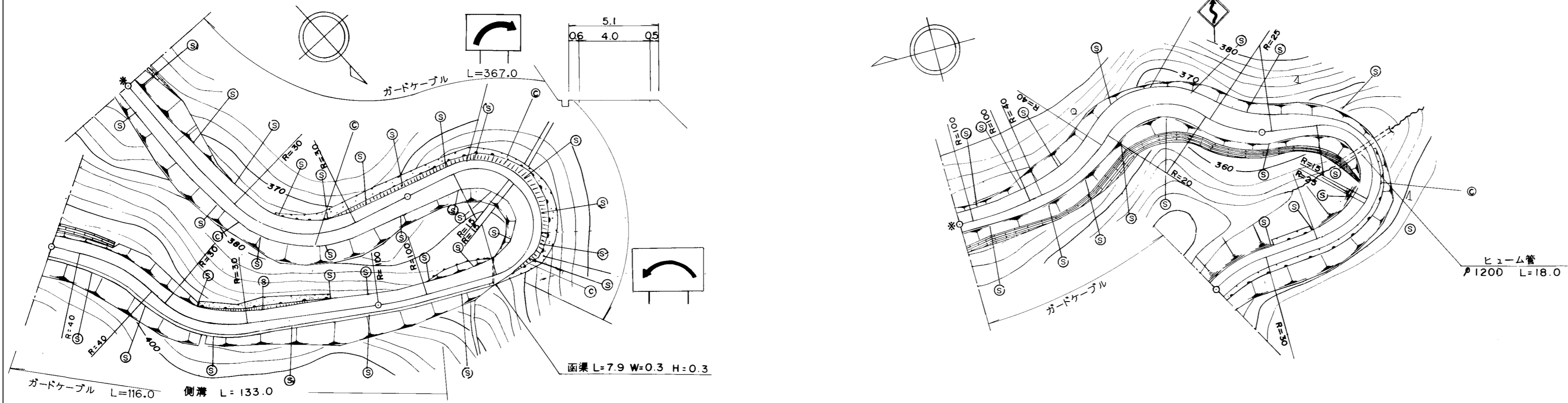


| | | | | | | | | | | | | | |
|----|-------|-----|-------|-----|-----|------------|----|-----|----|----------|------|----|---------------------------------|
| 標題 | 路線コード | 131 | 図面コード | 8-0 | 路線名 | 一般県道 本郷五味線 | 県名 | 山口県 | 地名 | 岩国市錦町府の谷 | 図面番号 | 10 | ① 現道 2 現道(分離) 3 旧道 4 新道 5 専用自歩道 |
|----|-------|-----|-------|-----|-----|------------|----|-----|----|----------|------|----|---------------------------------|

平面図
縮尺千分の一



道路台帳修正履歴

| カルテ番号 | 修正内容 | 調整年月日 | 業者名 |
|-------|------|-------------|-----|
| | 転記 | 2007. 3. 31 | 錦測量 |
| | | | |
| | | | |
| | | | |

| 区間 | 番号 | 100.0 | | | | | | | | | | | | | | | | | | | | | | | | | | 200.0 | | 300.0 | | | | 400.0 | | | | 497.0 | | 500.0 | |
|-----|-----|-------|-------|------|-----|------|------|-----|-----|-------|-----|------|-----|------|------|-----|------|------|------|------|------|------|------|------|-----|------|-----|-------|------|-------|------|------|----|-------|--|--|--|-------|--|-------|--|
| | | 1 | 2 | 3 | 4 | 5 | 6 | 7 | 8 | 9 | 10 | 11 | 12 | 13 | 14 | 15 | 16 | 17 | 18 | 19 | 20 | 21 | 22 | 23 | 24 | 25 | 26 | | | | | | | | | | | | | | |
| 点間 | 距離 | 21.0 | | 45.0 | | 28.0 | 6.0 | 6.0 | | 21.0 | 6.0 | 14.0 | | 33.0 | 20.0 | | 55.0 | 31.0 | 14.0 | 12.0 | 20.0 | 27.0 | 22.0 | 19.0 | 3.0 | 10.0 | 5.0 | 7.0 | 11.0 | 15.0 | 17.0 | 28.0 | | | | | | | | | |
| 全幅員 | 全幅員 | 6.0 | 7.0 | 6.0 | 5.5 | 5.3 | 5.1 | 5.5 | 6.5 | 7.5 | 8.0 | 7.0 | 7.5 | 6.0 | 6.0 | 6.0 | 7.0 | 9.0 | 9.0 | 8.14 | 8.0 | 6.0 | 5.5 | 5.0 | 5.5 | 5.5 | 6.0 | 5.5 | 5.5 | 6.0 | 5.5 | | | | | | | | | | |
| | 車道 | 左側 | 5.0 | 5.0 | 5.0 | 4.5 | 4.25 | 4.0 | 4.5 | 5.0 | 5.0 | 5.0 | 5.0 | 5.0 | 5.0 | 5.0 | 5.0 | 5.0 | 5.0 | 5.0 | 5.0 | 5.0 | 5.0 | 5.0 | 5.0 | 5.0 | 5.0 | 5.0 | 5.0 | 5.0 | 5.0 | 5.0 | | | | | | | | | |
| | | 右側 | | | | | | | | | | | | | | | | | | | | | | | | | | | | | | | | | | | | | | | |
| | 路肩 | 左側 | 0.5 | 1.0 | 0.5 | 0.5 | 0.5 | 0.5 | 0.5 | 0.5 | 1.0 | 1.0 | 1.0 | 1.5 | 0.5 | 0.5 | 0.5 | 1.0 | 2.0 | 2.0 | 1.57 | 1.5 | 0.5 | 0.5 | 0.5 | 0.5 | 0.5 | 0.5 | 0.5 | 0.5 | 0.5 | 0.5 | | | | | | | | | |
| | | 右側 | 0.5 | 1.0 | 0.5 | 0.5 | 0.5 | 0.5 | 0.5 | 0.5 | 1.0 | 1.0 | 1.0 | 1.5 | 0.5 | 0.5 | 0.5 | 1.0 | 2.0 | 2.0 | 1.57 | 1.5 | 0.5 | 0.5 | 0.5 | 0.5 | 0.5 | 0.5 | 0.5 | 0.5 | 0.5 | 0.5 | | | | | | | | | |
| 中央 | | | | | | | | | | | | | | | | | | | | | | | | | | | | | | | | | | | | | | | | | |
| 側溝 | 左側 | | | | 0.4 | 0.4 | 0.4 | 0.4 | 0.4 | 0.4 | | | | | | | | | | | | | | | | | | | | | | | | | | | | | | | |
| | 右側 | 0.4 | 0.4 | 0.4 | 0.4 | 0.4 | 0.4 | 0.4 | 0.4 | 0.4 | | | | | | | | | | | | | | | | | | | | | | | | | | | | | | | |
| その他 | | | | | | | | | | | | | | | | | | | | | | | | | | | | | | | | | | | | | | | | | |
| 主要 | 工作物 | | | | | | | | | | | | | | | | | | | | | | | | | | | | | | | | | | | | | | | | |
| 路面 | 種別 | as | | | | | | | | | | | | | | | | | | | | | | | | | | | | | | | as | | | | | | | | |
| 舗装 | 区間 | | 1 | | | | | | | 2 | | | | | | | | | | | | | | | | | | | | | | | | | | | | | | | |
| | 番号 | | 100.0 | | | | | | | 100.0 | | | | | | | | | | | | | | | | | | | | | | | | | | | | | | | |

| | |
|-------|--------------|
| 路線名 | 一般県道 本郷五味線 |
| 図面名 | 313102008-00 |
| 作成年月日 | 2009年3月31日 |
| 縮尺 | 1/1000 |
| 図面番号 | 10 |
| 事務所名 | 岩国土木建築事務所 |